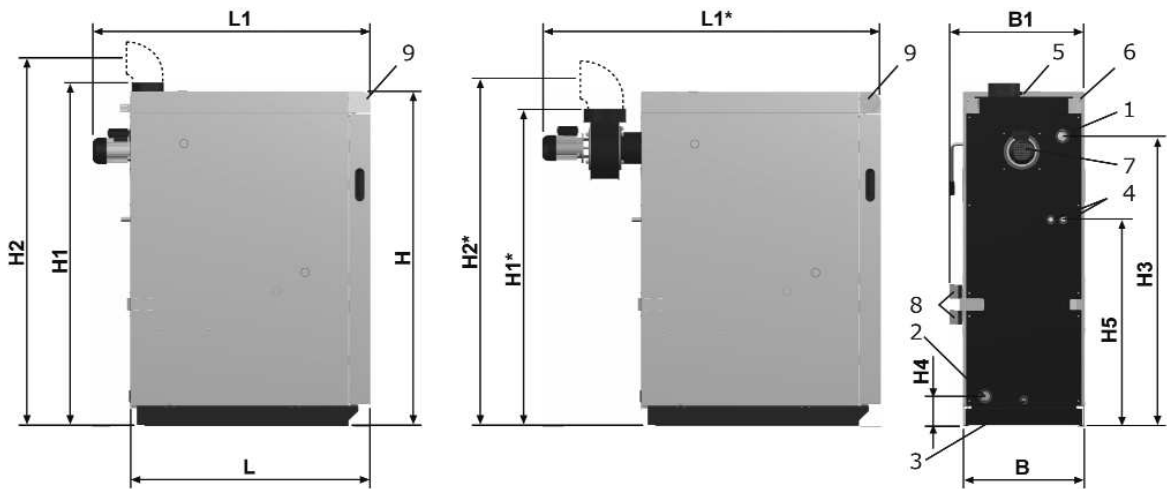


Technical data

S4 Turbo

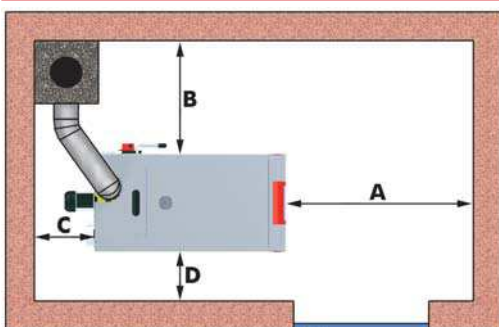


- 1 ...Boiler and tank outfeed
- 2 ...Boiler and tank return feed
- 3 ...Drain
- 4 ...Safety battery connection
- 5 ...Lambda probe connection
- 6 ...Immersion sleeve for boiler sensor
- 7 ...Induced draught fan
- 8 ...Primary and secondary air motor
- 9 ...Controller

S4 Turbo		15	22	28	34	40	50	60
Rated heat output	kW	15	22	28	34	40	50	60
Electrical connection		230 V / 50 Hz / fused 16 A						
Output	W	105	105	125	110	110	110	110
Boiler weight	kg	642	642	642	746	746	798	798
Fuel loading door dimensions (w / h)	mm	380/360	380/360	380/360	380/360	380/360	380/360	380/360
Fuel loading chamber capacity	litres	145	145	145	190	190	200	200
Water capacity	litres	115	115	115	175	175	170	170
Upstream resistance dT = 20 K	mbar	3,0	2,0	2,5	1,7	1,9	2,5	2,5
Flue gas temperature at rated load	°C	140	160	180	140	170	140	170
Flue gas mass flow under rated load	kg/s	0,011	0,016	0,021	0,025	0,030	0,036	0,044
Minimum feed pressure	mbar	0,08	0,08	0,08	0,08	0,08	0,08	0,08
Permitted operating over-pressure	bar	3	3	3	3	3	3	3
Permitted operating temperature	°C	95	95	95	95	95	95	95
Minimum return feed temperature	°C	55	55	55	55	55	55	55
Dimensions		15	22	28	34	40	50	60
L Total depth of boiler	mm	1125	1125	1125	1215	1215	1215	1215
L1 Total depth of boiler incl. fan / L1*	mm	1300	1300	1300	1390	1390	1620	1620
B Total width of boiler	mm	570	570	570	670	670	670	670
H Total height of boiler	mm	1565	1565	1565	1565	1565	1565	1565
H1 Height of flue gas pipe connection/H1*	mm	1610	1610	1610	1610	1610	1480	1480
H2 Height gas connection. incl. elbow / H2*	mm	1830	1830	1830	1830	1830	1700	1700
H3 Height of flow connection	mm	1360	1360	1360	1360	1360	1360	1360
H4 Height of return connection	mm	140	140	140	140	140	140	140
AR Flue gas pipe diameter	mm	150	150	150	150	150	150	150
Boiler flow- and return connection	Sleeve	1 1/2"	1 1/2"	1 1/2"	1 1/2"	1 1/2"	1 1/2"	1 1/2"

* only for S4 Turbo 50/60

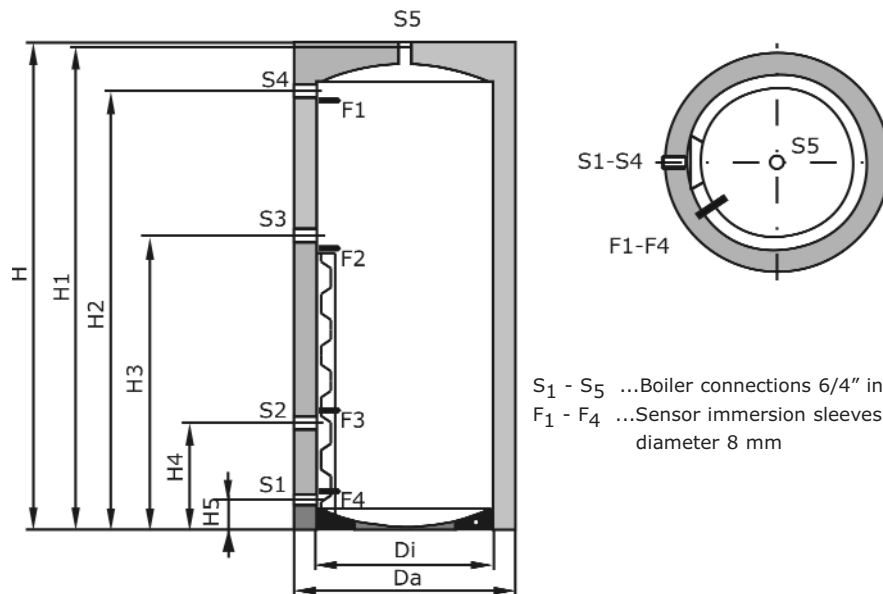
Subject to technical change



S4 Turbo

A	Minimum distance from front-side to wall	mm	800
B	Minimum distance from edge of boiler to wall	mm	800
C	Minimum distance from back-side of boiler to wall	mm	500
D	Minimum distance from edge of boiler to wall	mm	200

Technical data layered tank

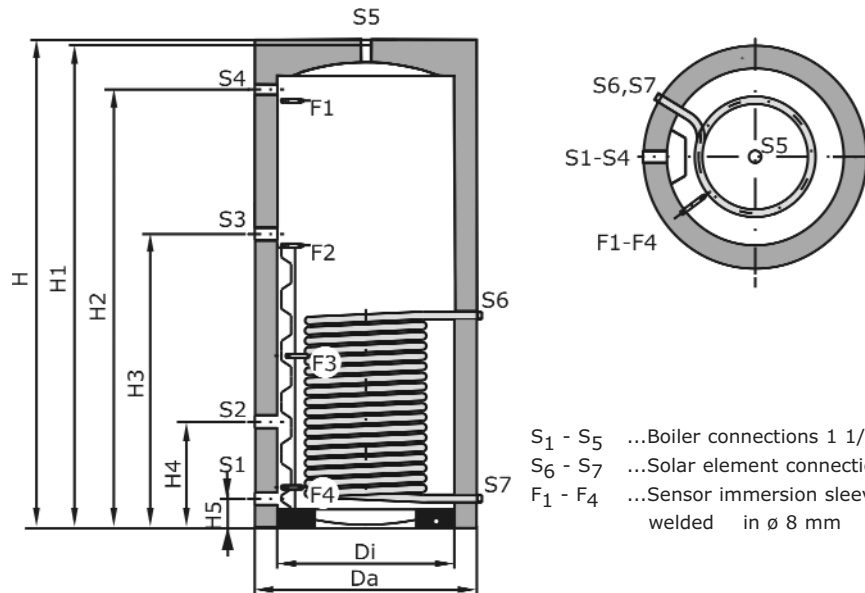


S₁ - S₅ ...Boiler connections 6/4" internal thread
F₁ - F₄ ...Sensor immersion sleeves permanently welded in diameter 8 mm

Technical data layered tank		500	850	1000	1500	1800	2200
Water capacity	litres	530	830	1000	1400	1800	2200
Permitted working over-pressure	bar	3	3	3	3	3	3
Permitted operating temperature	°C	95	95	95	95	95	95
H Height of tank incl. insulation	mm	1660	1970	2180	2220	2215	2670
H1 Height of tank excl. insulation	mm	1650	1950	2160	2180	2185	2650
H2 Boiler flow	mm	1440	1730	1940	1940	1940	2395
H3 Boiler flow	mm	800	1090	1300	1325	1325	1780
H4 Boiler return feed	mm	370	470	470	500	500	500
H5 Boiler return feed	mm	110	130	130	180	180	180
Tank inner ø excl. insulation	mm	690	785	785	960	1090	1090
Tank outer ø incl. insulation	mm	880	975	975	1150	1280	1280
Insulation thickness	mm	95	95	95	95	95	95
Weight empty	kg	105	140	155	210	230	280
Min. width required	mm	700	800	800	980	1120	1120
Min. store height (angled height)	mm	1700	2000	2220	2250	2300	2720

Subject to technical change

Technical data Solar layered tank



S₁ - S₅ ...Boiler connections 1 1/2" internal thread
 S₆ - S₇ ...Solar element connections 1"
 F₁ - F₄ ...Sensor immersion sleeves permanently welded in \varnothing 8 mm

Technical data Solar layered tank		850	1000	1500	1800	2200
Hot water capacity	Litres	830	1000	1400	1800	2200
Permitted working over-pressure	bar	3	3	3	3	3
Permitted operating temperature	°C	95	95	95	95	95
H Height of tank incl. insulation	mm	1970	2180	2220	2215	2670
H1 Height of tank excl. insulation	mm	1950	2160	2180	2185	2650
H2 Boiler flow	mm	1730	1940	1940	1940	2395
H3 Boiler flow	mm	1090	1300	1325	1325	1780
H4 Boiler return feed	mm	470	470	500	500	500
H5 Boiler return feed	mm	130	130	180	180	180
Tank inner \varnothing excl. insulation	mm	785	785	960	1090	1090
Tank outer \varnothing incl. insulation	mm	975	975	1150	1280	1280
Insulation thickness	mm	95	95	95	95	95
Weight empty	kg	185	200	268	288	338
Min. width required	mm	800	800	980	1120	1120
Min. store height (angled height)	mm	2000	2220	2250	2300	2720
Technical data heater coil						
Heating surface	m ²	3	3	4	4	4
Permitted working over-pressure	bar	16	16	16	16	16
Permitted operating temperature	°C	110	110	110	110	110
Capacity	Litres	19	19	26	26	26
Connections	ex. thread	1"	1"	1"	1"	1"

Subject to technical change